

Homogeniser HL 2

- Max. 5,500 litres per hour
- Homogenising pressure up to 700 bar
- Optional aseptic function
- Poppet valve for moderate viscosity and abrasive products
- Ball valves for high viscosity and high abrasive products
- Made in Germany

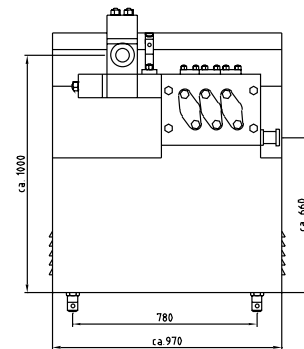
*Weight without main motor: 1,400 kg
Subject to change without prior notice*



Poppet valves

For moderate viscosity and abrasive products

Machine type	Max. pressure	Max. capacities
HL 2	bar	litres per hour
100 T	100	5,500
200 T	200	4,500
250 T	250	3,500
350 T	350	2,200
550 T	550	1,500



Ball valves

For abrasive and high viscosity products

Machine type	Max. pressure	Max. capacities
HL 2	bar	litres per hour
100 K	100	4,000
200 K	200	3,200
250 K	250	2,200
350 K	350	1,700
550 K	550	1,000
700 K	700	700

